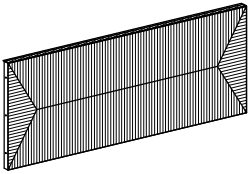
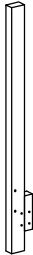
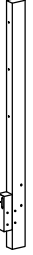
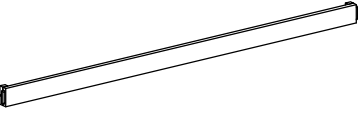
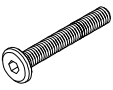


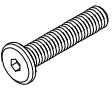




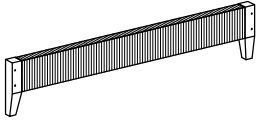
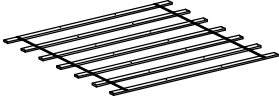



Warning :

- Be sure to check all packing material carefully for small parts, which may have come loose inside the carton during shipment.
- To prevent possible scratches and damage, this furniture **MUST BE ASSEMBLED BY TWO PEOPLE** on a soft surface such as a blanket or carpet.

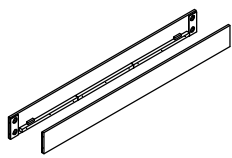

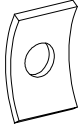
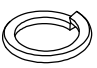
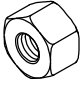
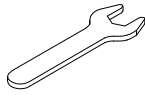
Hardware and Parts packed with the Headboard

<p>King Woven Headboard - 30780</p>  <p>(H-A) 1 pc</p>	<p>Headboard Post (Left)</p>  <p>(H-B) 1 pc</p>	<p>Headboard Post (Right)</p>  <p>(H-C) 1 pc</p>	<p>Headboard Stretcher</p>  <p>(H-D) 1 pc</p>		
<p>Allen Head Bolt M6-32 x 40mm</p>  <p>(H-E) 2 pcs</p>	<p>Flat Washer Ø6 x Ø13mm</p>  <p>(H-F) 2 pcs</p>	<p>Lock Washer Ø9 x Ø13mm</p>  <p>(H-G) 8 pcs</p>	<p>Allen Head Bolt M8-32 x 65mm</p>  <p>(H-H) 6 pcs</p>	<p>Flat Washer Ø8 x Ø20mm</p>  <p>(H-I) 6 pcs</p>	<p>Allen Key 4 x 110mm</p>  <p>(H-J) 1 pc</p>

Hardware and Parts packed with the Footboard

<p>King Woven Footboard - 30781</p>  <p>(F-A) 1 pc</p>	<p>Wood Slat (77" long)</p>  <p>(F-B) 1 set</p>	<p>Support leg (8-3/4" x 1-1/4" x 1-1/4")</p>  <p>(F-C) 14 pcs</p>	<p>Wood Screw Ø4 x 25mm</p>  <p>(F-D) 14 pcs</p>	<p>Tool Required (not provided) Phillips Screwdriver</p> 
--	--	---	---	--

Hardware and Parts packed with the Bed Rails

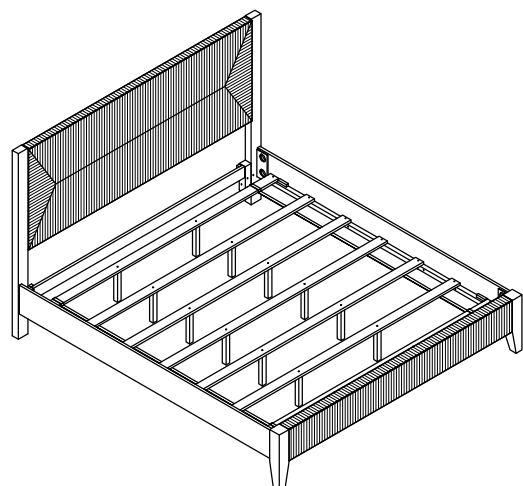
<p>Bed Rails - 30772</p>  <p>(R-A) 2 pcs</p>	<p>Thread Bolt M8-32 x 70mm</p>  <p>(R-B) 8 pcs</p>	<p>Arc Washer 14 x 26mm</p>  <p>(R-C) 8 pcs</p>	<p>Lock Washer Ø10 x Ø15mm</p>  <p>(R-D) 8 pcs</p>	<p>Hex Nut M8-32 x 7mm</p>  <p>(R-E) 8 pcs</p>	<p>Open Wrench 13 mm</p>  <p>(R-F) 1 pc</p>
--	--	--	---	---	--

6/6 King Bed

30780 - 6/6 Woven Headboard

30781 - 6/6 Woven Footboard

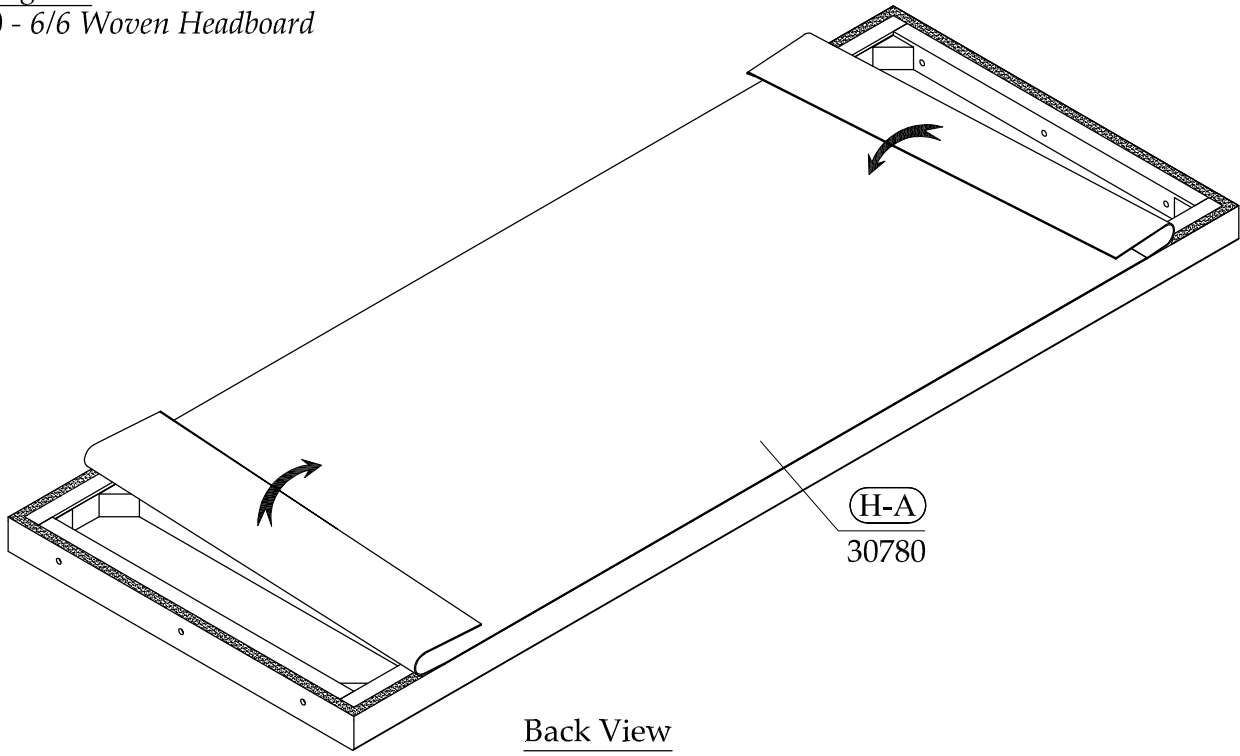
30772 - 5/0-6/6 Queen-King Bed Rails



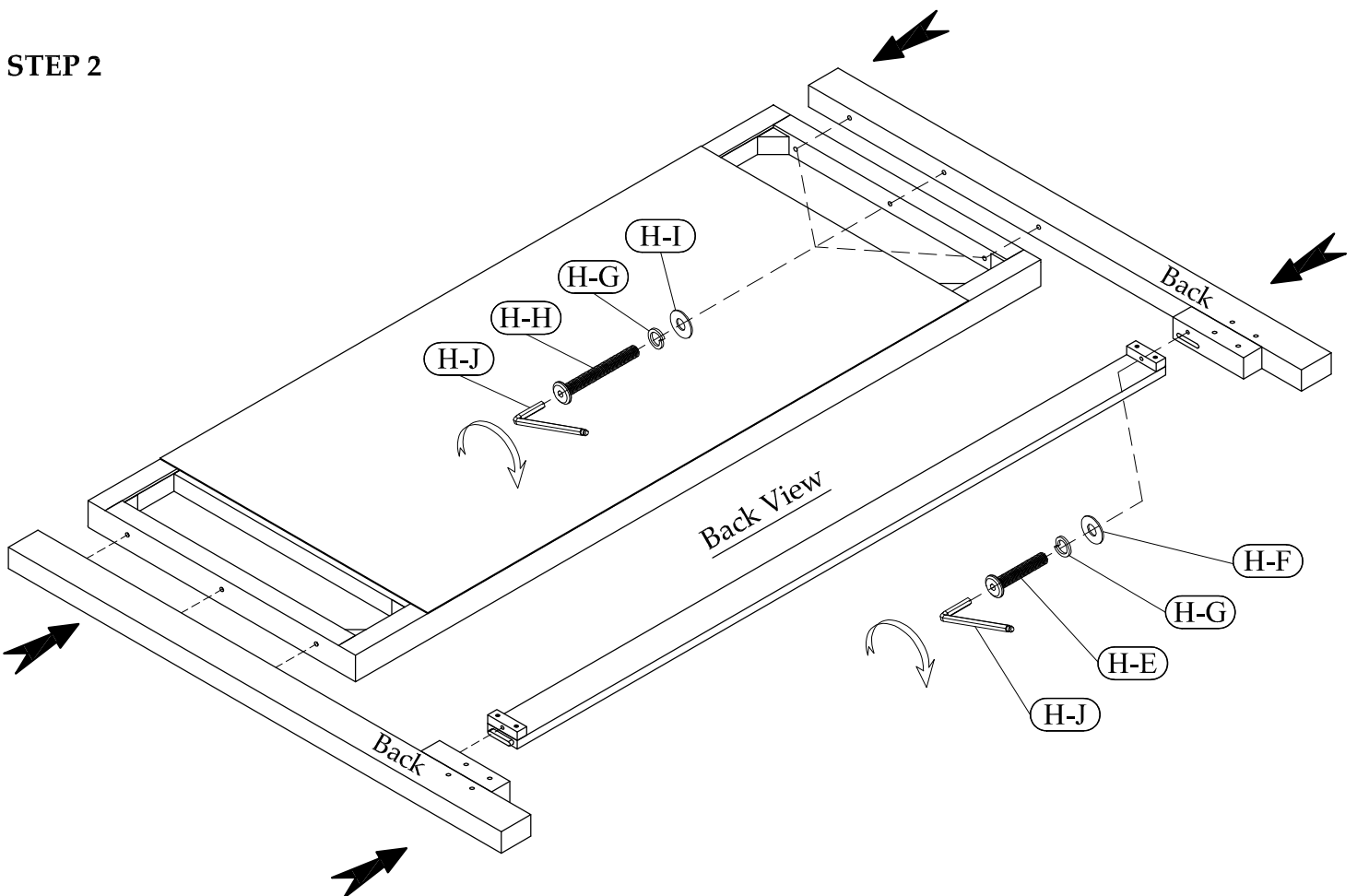
STEP 1

6/6 King Bed

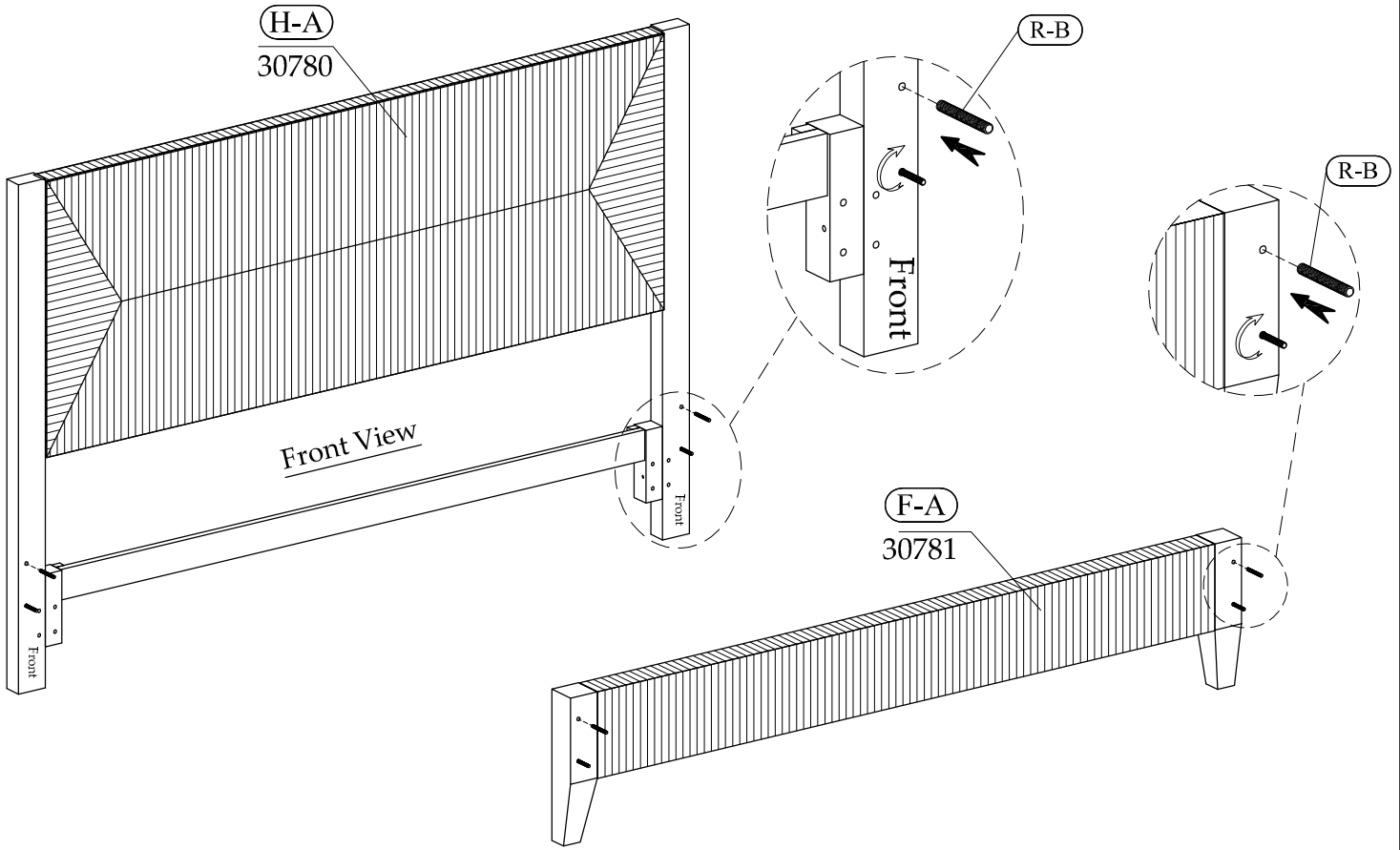
30780 - 6/6 Woven Headboard



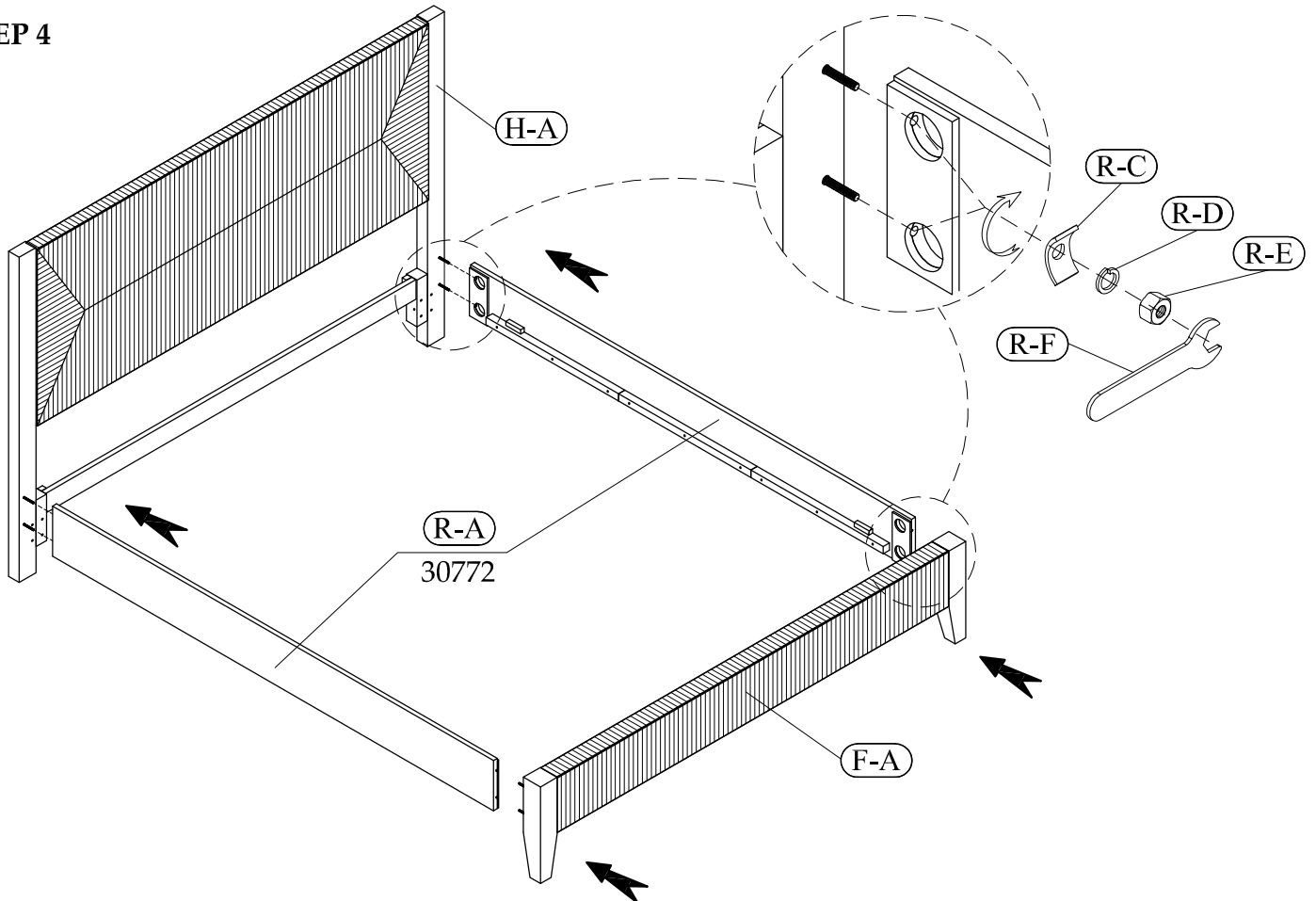
STEP 2



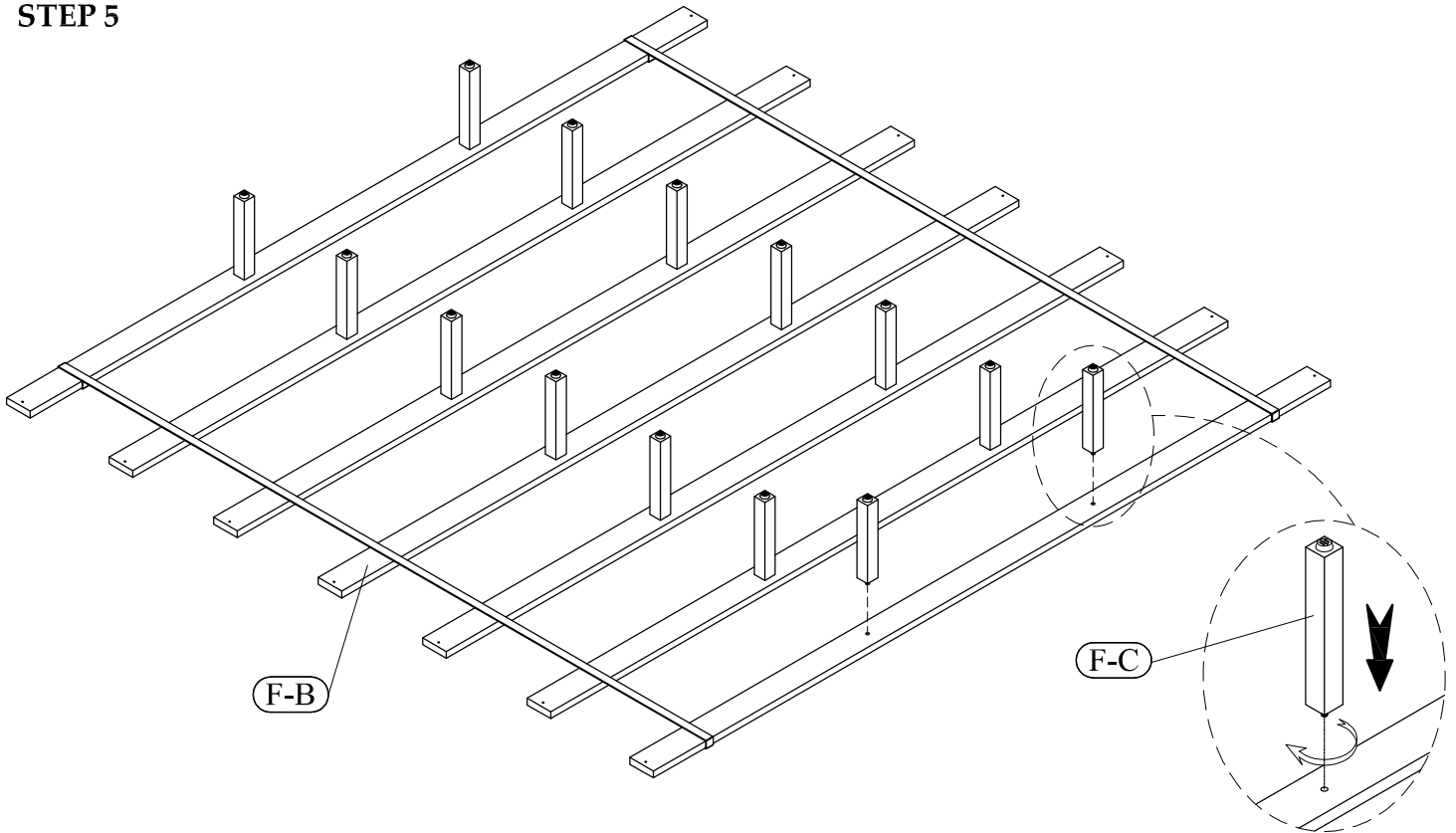
STEP 3



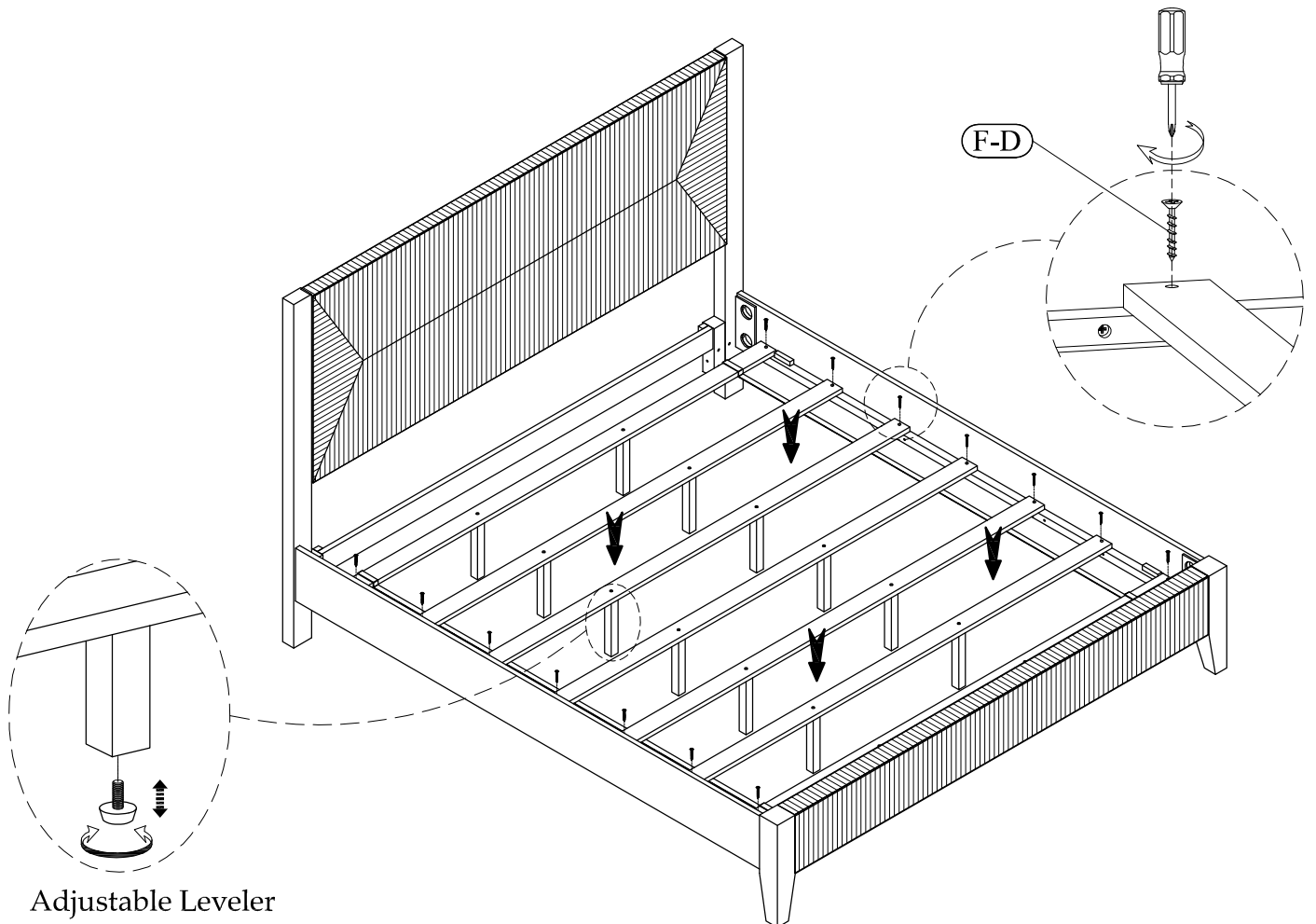
STEP 4



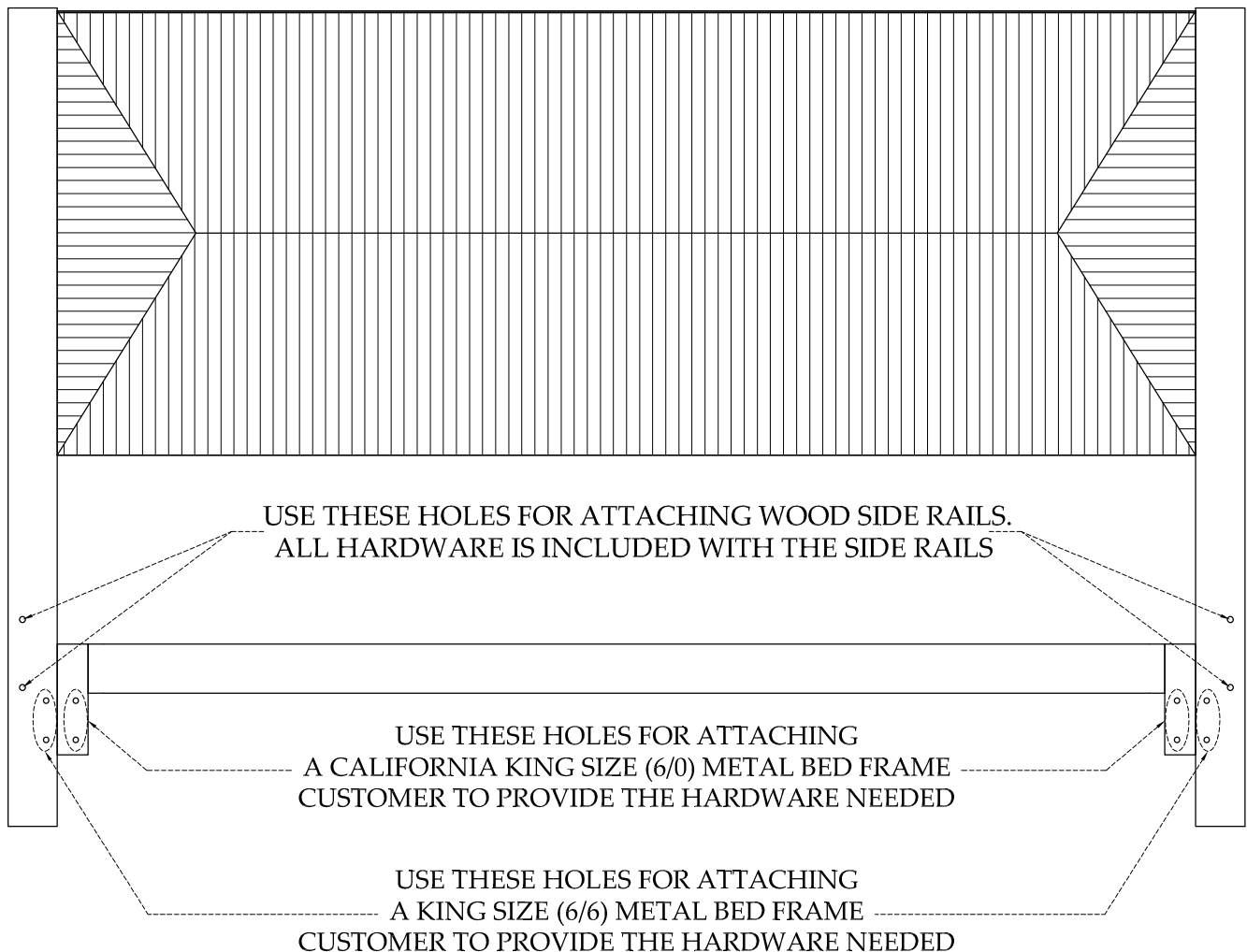
STEP 5



STEP 6



*6/6 King Bed
30780 - 6/6 Woven Headboard*



THE HEADBOARD MAY BE USED ALONE WITH
A EASTERN KING OR CALIFORNIA SIZE METAL BED FRAME